

# EQUALIZER

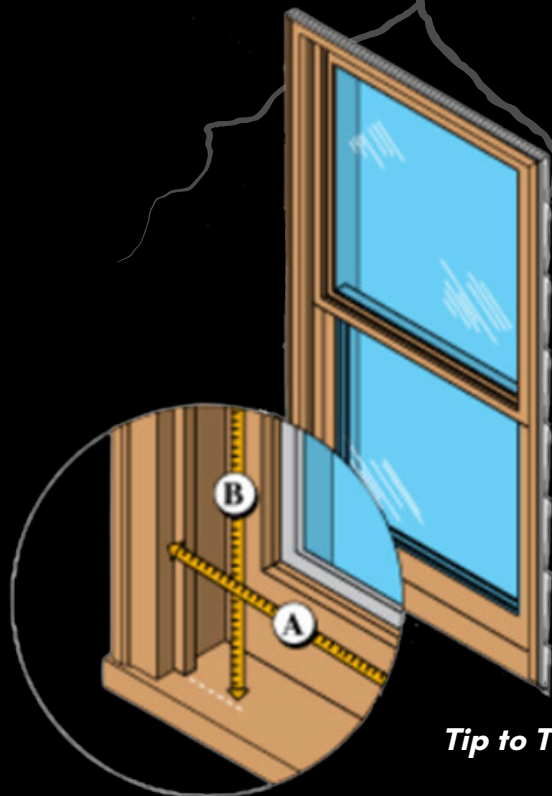
STORM WINDOWS

## MEASURING EXTERIOR STORM WINDOWS

To determine the appropriate size and installation method for your Equalizer Storm Windows, you'll need to measure your existing window opening accurately.

1. Start by measuring the smallest width of your window opening from tip to tip (A). Measure from left to right, and at three points (top, middle, and bottom).
2. Next, measure the height of your window opening from tip to tip (top to bottom) (B). Measure again at three points (right, center, and left).
3. Use the smallest of the measurements for your order. Always round to the nearest 1/8". Make sure to record these measurements exactly to ensure a precise fit for your storm windows.
4. Once you have your measurements, consider your installation preferences. The Equalizer Storm Windows can be installed as a Blindstop (Inside Mount), providing a clean, flush look within the existing frame, or as an Overlap (Outside Mount), overlapping the existing frame for situations where an inside mount isn't feasible or preferred.

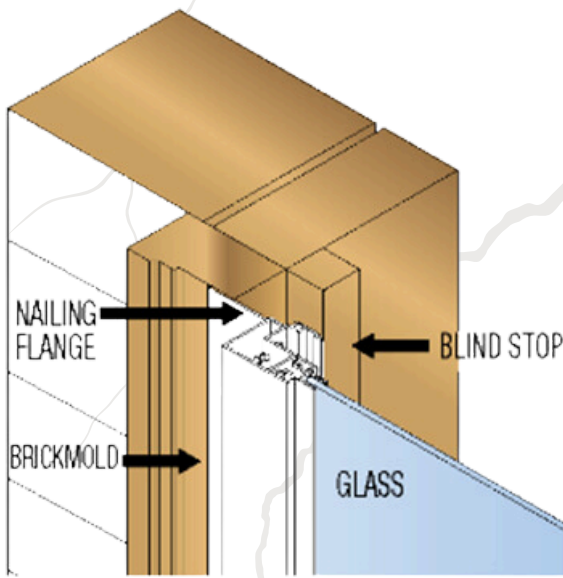
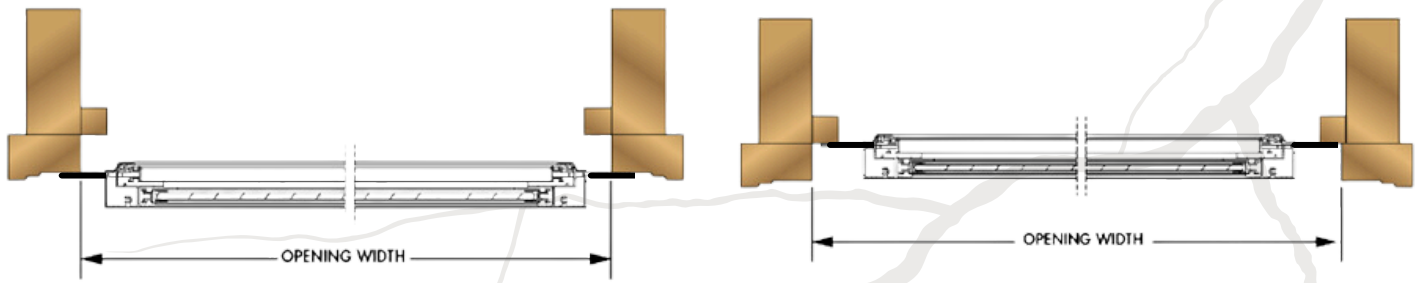
**INSTALLATION NOTES:** Use a steel measuring tape, do not use cloth. Make sure to measure every window opening as size variance can occur.



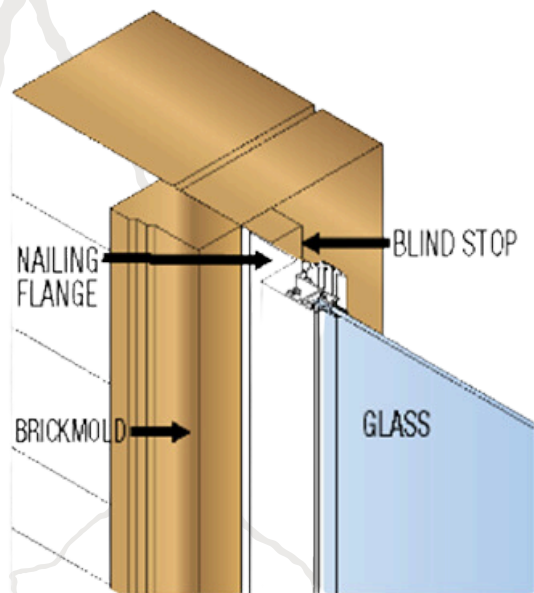
*Tip to Tip/Opening Measurement*

OUTSIDE MOUNT  
Overlap

INSIDE MOUNT  
Blindstop



Outside Mount Installation  
*Overlap*

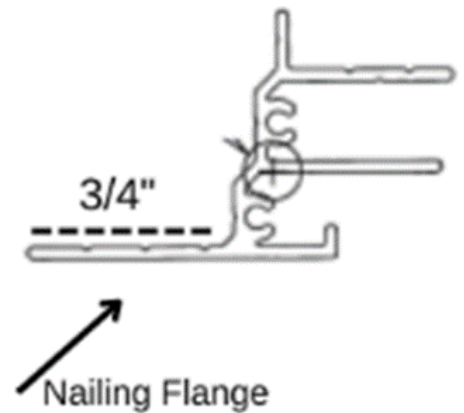


Inside Mount Installation  
*Blindstop*

For a Blindstop or Overlap installation, take your opening measurement (tip-to-tip) and then note on the order if you need one of these options.

**Inside Mount (Blindstop):** A stop inside the window. A piece of rectangular molding used in the construction of window frames. It is typically nailed between the outside trim piece and the outside sashes.

**Outside Mount (Overlap):** The storm window is installed outside of the window frame



# INSIDE MOUNT/ BLINDSTOP



**Measurement of  
Opening Width**



**Measurement of  
Opening Height**





# OUTSIDE MOUNT/ OVERLAP



**Measurement of  
Opening Width**



**Measurement of  
Opening Height**

